



Highly Engineered Valve Solutions For Transportation Applications



High Accuracy Low Wattage High Reliability Oxygen compatible High Flow Low Noise
Low Wattage High Accuracy Compact Package Extremely Low Leakage Rate
Reduced Weight High Repeatability Compact Package *Extremely Low Leakage Rate*
High Reliability Oxygen compatible High Flow Low Noise High Accuracy Low Wattage
 Compact Package *High Accuracy Low Wattage Extremely Low Leakage Rate*
 High Flow **High Repeatability** *Low Wattage*
High Accuracy Low Wattage High Reliability Low Noise Low Noise
 Low Wattage *High Accuracy Compact Package Extremely Low Leakage Rate*
Reduced Weight High Repeatability Compact Package *Extremely Low Leakage Rate*
High Reliability Oxygen compatible High Flow Low Noise High Accuracy Low Wattage
 Compact Package *Low Wattage Extremely Low Leakage Rate*
 High Flow **High Repeatability** *Extremely Low leakage Rate Low Wattage*
High Accuracy High Reliability Oxygen compatible High Flow Low Noise
 Low Wattage *High Accuracy Compact Package Extremely Low Leakage Rate*
Reduced Weight High Repeatability Compact Package *Extremely Low Leakage Rate*
High Reliability Oxygen compatible High Flow Low Noise High Accuracy Low Wattage
 Compact Package *High Accuracy Low Wattage Extremely Low Leakage Rate*
 High Flow **High Repeatability** *Extremely Low Leakage Rate Low*



MAC Valves

MAC Valves has over **30 years of experience** in supplying valve solutions to the transportation industry.

Its **unique solenoid valve technology** enhances the reliability of your equipment in the harshest environments.

MARKET REQUIREMENTS

Unstable Voltage



High Temperature Variation



Lowest Leakage Rate Possible



Unstable Air Pressure



Lowest Weight and Size Possible



*Flammability Requirements
Components Compliant
With EN45455*



Manual Operators



High Vibration



MAC SOLUTIONS

*Mac Coil Voltage
Tolerance: +/- 30%*

*Wide Temperature
Rubber Compound*

*D-Seal™ Technology
And Vulcanized Rubber
D-Flex™ Technology Available*

*MAC Valves: Balanced Design,
Unaffected By Pressure Variation*

*High Flow In
Small Package*

*Highly Engineered Materials
Compliant With EN45455*

Wide Range Available

Vibration Resistant Components

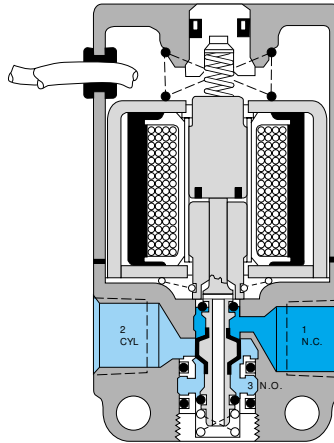


Solutions for the transport industry
Electrically operated valve

Function	Port size	Flow (Max)	Individual mounting
3 / 2 NO-NC	G 1 / 8" - G 1 / 4"	180 NI/ min	Inline

OPERATIONAL BENEFITS

1. High reliability.
2. Heavy duty design.
3. High shifting forces.
4. Long life.
5. Wide voltage variations.
6. Wide temperature range.
7. Washdown.
8. Immune to contamination.
9. Immune to vibrations.
10. Immune to corrosion.
11. Compact design.



HOW TO ORDER

Port size	Valve type
G 1 / 8"	116B- XX YZ E846
G 1 / 4"	117B- XX YZ E846

SOLENOID OPERATOR ▶

XX Y ZZ

XX Voltage	Y Manual operator	ZZ Electrical connection
61 24V=/ 8.5W	1 Non-locking recessed	BA Flying leads
67 64V=/ 7.5W	4 Locking extended	JA Square connector
75 90V=/ 8.8W		JB Rectangular connector
76 100V=/ 6.9W		JC Square connector with light
96 75V=/ 6.1W		JD Rectangular connector with light
		JJ Square connector Male only
		JM Rectangular connector Male only

OPTIONS

Special electrical connections on request, consult factory.

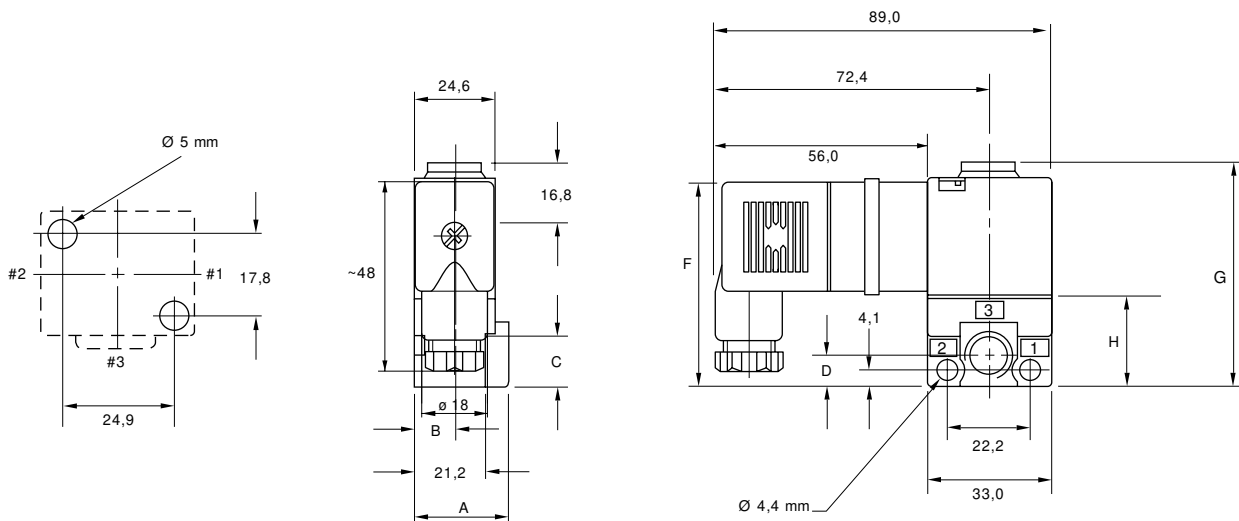
TECHNICAL DATA

Fluid :	Compressed air, vacuum, inert gases
Pressure range :	Vacuum to 10 bar
Lubrication :	Not required, if used select a medium aniline point lubricant (between 80°C and 100°C)
Filtration :	40µ
Temperature :	-18°C to +65°C
Orifice :	2 mm
Flow at 6 bar (ΔP=1 bar) :	180 NI/ min (Cv 0.18)
Coil :	Class F wires - 100% ED
Voltage range :	-30% to +10% of nominal voltage
Protection :	IP65
Power :	6.1 to 8.8 W
Response times :	24V= / 8.5 W Energize : 7 ms De-energize: 2 ms

Options : • Protection varistor on the female connector.

DIMENSIONS

Dimensions shown are metric (mm)



PORT SIZE	A	B	C	D	E	F	G	H
G 1 / 8 "	28.4	12.7	14.0	8.0	40.1	64.9	60.1	23.2
G 1 / 4 "	29.8	13.3	12.7	9.9	40.9	65.8	60.9	24.1

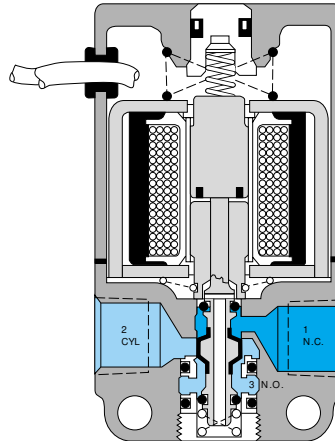


Solutions for the transport industry
Electrically operated valve

Function	Port size	Flow (Max)	Manifold mounting
3 / 2 NO-NC	G 1 / 8 "	140 NI/ min	Sub-base

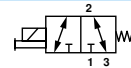
OPERATIONAL BENEFITS

1. High reliability.
2. Heavy duty design.
3. High shifting forces.
4. Long life.
5. Wide voltage variations.
6. Wide temperature range.
7. Washdown.
8. Immune to contamination.
9. Immune to vibrations.
10. Immune to corrosion.
11. Compact design.



HOW TO ORDER

Port size	Valve type
Valve less base	130B- XXYYZ E847
G 1 / 8 " base	136B- XXYYZ E847



SOLENOID OPERATOR >

XX Y ZZ

XX Voltage	Y Manual operator	ZZ Electrical connection
61 24V=/ 8.5W	1 Non-locking recessed	BA Flying leads
67 64V=/ 7.5W	4 Locking extended	JB Rectangular connector
75 90V=/ 8.8W		JD Rectangular connector with light
76 100V=/ 6.9W		JM Rectangular connector Male only
96 75V=/ 6.1W		

OPTIONS

- Special electrical connections on request, consult factory.
- End plate kit (Port size G 1 / 4"): A2-5004-01P

MAC[®]

Series 100

100%
OF
PRODUCTION
TESTED
100%

WARRANTY
18
MONTHS

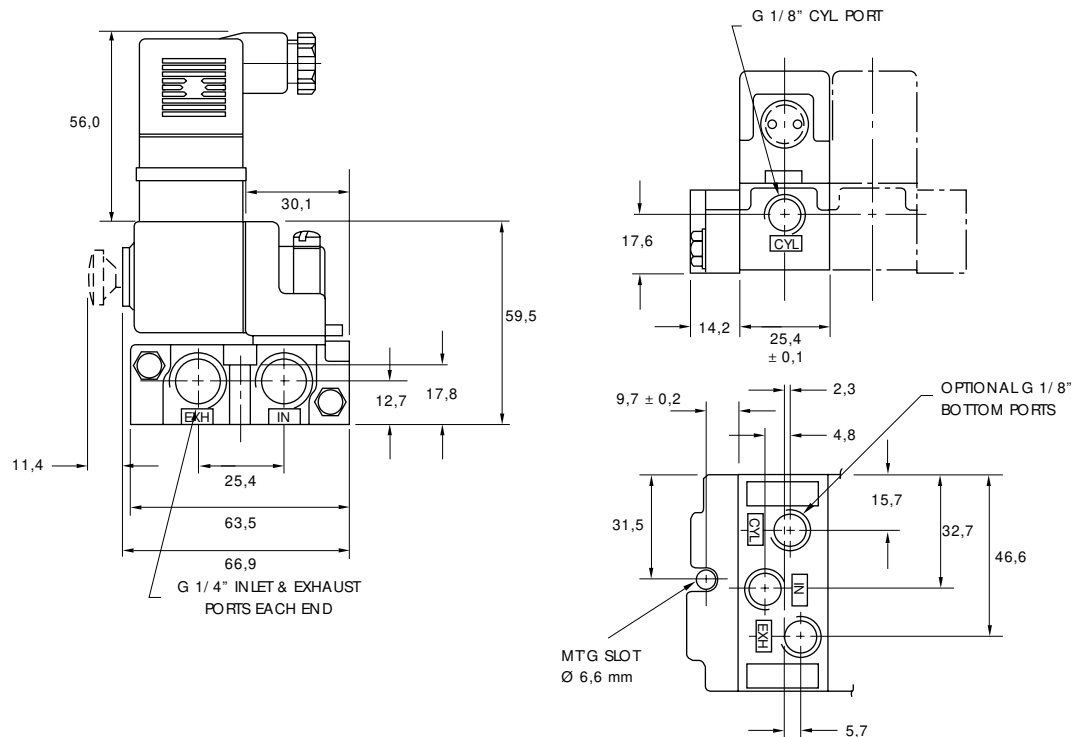
TECHNICAL DATA

Fluid :	Compressed air, vacuum, inert gases
Pressure range :	Vacuum to 10 bar
Lubrication :	Not required, if used select a medium aniline point lubricant (between 80°C and 100°C)
Filtration :	40µ
Temperature :	-18°C to +65°C
Orifice :	2 mm
Flow at 6 bar ($\Delta P=1$ bar) :	140 NI/ min (Cv 0.14)
Coil :	Class F wires - 100% ED
Voltage range :	-30% to +10% of nominal voltage
Protection :	IP65
Power :	6.1 to 8.8 W
Response times :	24V= / 8.5 W Energize : 7 ms De-energize: 2 ms

Options : • Protection varistor on the female connector.

DIMENSIONS

Dimensions shown are metric (mm)



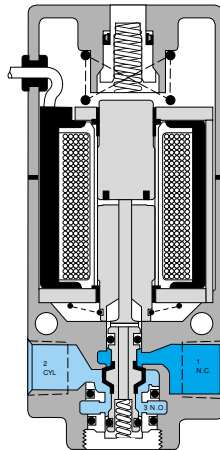


Solutions for the transport industry
Electrically operated valve

Function	Port size	Flow (Max)	Individual mounting
3 / 2 NO-NC	G 1 / 8" - G 1 / 4"	500 NI/ min	Inline

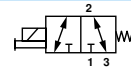
OPERATIONAL BENEFITS

1. High reliability.
2. Heavy duty design.
3. High shifting forces.
4. Long life.
5. Wide voltage variations.
6. Wide temperature range.
7. Washdown.
8. Immune to contamination.
9. Immune to vibrations.
10. Immune to corrosion.
11. Compact design.



HOW TO ORDER

Port size	Valve type
G 1 / 8"	224B- XX YZ E849
G 1 / 4"	225B- XX YZ E849



SOLENOID OPERATOR >

XX Y ZZ

XX Voltage	Y Manual operator	ZZ Electrical connection
61 24V=/ 8.5W	1 Non-locking recessed	BA Flying leads
67 64V=/ 10.5W	4 Locking extended	JA Square connector
74 72V=/ 11.3W		JJ Square connector Male only
75 90V=/ 11.3W		JC Square connector with light
76 100V=/ 9W		

OPTIONS

Special electrical connections on request, consult factory.



100%
OF
PRODUCTION
TESTED
100%

WARRANTY
18
MONTHS

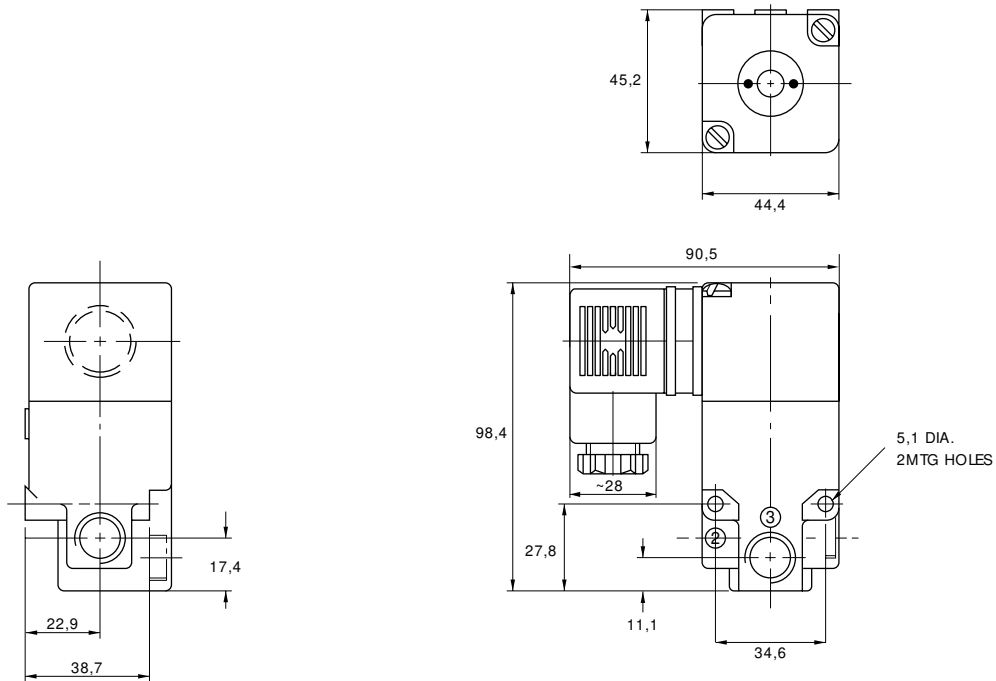
TECHNICAL DATA

Fluid :	Compressed air, vacuum, inert gases
Pressure range :	Vacuum to 10 bar
Lubrication :	Not required, if used select a medium aniline point lubricant (between 80°C and 100°C)
Filtration :	40µ
Temperature :	-18°C to +65°C
Orifice :	4.8 mm
Flow at 6 bar (ΔP=1 bar) :	500 NI/ min (Cv 0.5)
Coil :	Class F wires - 100% ED
Voltage range :	-30% to +10% of nominal voltage
Protection :	IP65
Power :	8.5 to 11.3 W
Response times :	24V= / 8.5 W Energize : 15 ms De-energize: 5 ms

Options : • Protection varistor on the female connector.

DIMENSIONS

Dimensions shown are metric (mm)



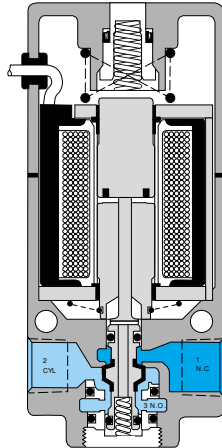


Solutions for the transport industry
Electrically operated valve

Function	Port size	Flow (Max)	Manifold mounting
3 / 2 NO-NC	G 1 / 8" - G 1 / 4"	450 NI/ min	Sub-base

OPERATIONAL BENEFITS

1. High reliability.
2. Heavy duty design.
3. High shifting forces.
4. Long life.
5. Wide voltage variations.
6. Wide temperature range.
7. Washdown.
8. Immune to contamination.
9. Immune to vibrations.
10. Immune to corrosion.
11. Compact design.



HOW TO ORDER

Port size	Valve type
Valve less base	250B-XXYYZZ E850
G 1 / 8" base	256B-XXYYZZ E850
G 1 / 4" base	257B-XXYYZZ E850
G 1 / 4" base with pressure regulator	252B-XXYYZZ E850

SOLENOID OPERATOR ▶

XX Y ZZ

XX Voltage	Y Manual operator	ZZ Electrical connection
61 24V=/ 8.5W	1 Non-locking recessed	BA Flying leads
67 64V=/ 10.5W	4 Locking extended	JA Square connector
74 72V=/ 11.3W		JJ Square connector Male only
75 90V=/ 11.3W		JC Square connector with light
76 100V=/ 9W		

OPTIONS

- Special electrical connections on request, consult factory
- End plate kit (Port size: G 1 / 4"): A2-5003-01P

MAC[®]

Series 200

100%
OF
PRODUCTION
TESTED
100%

WARRANTY
18
MONTHS

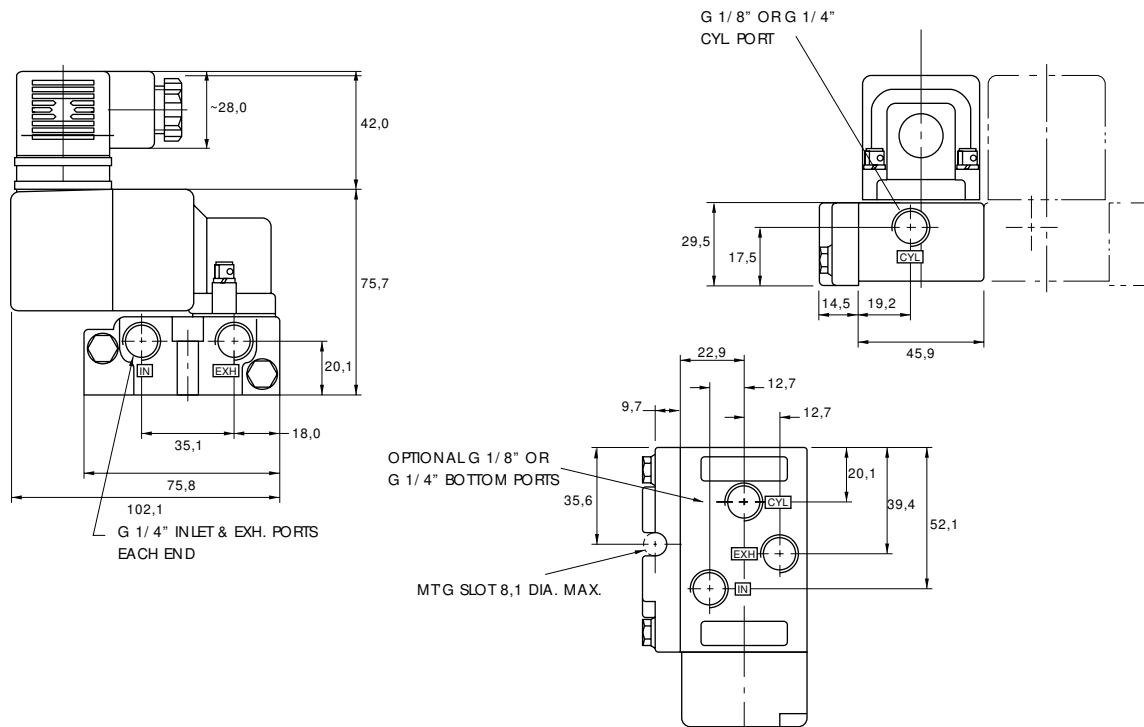
TECHNICAL DATA

Fluid :	Compressed air, vacuum, inert gases
Pressure range :	Vacuum to 10 bar
Lubrication :	Not required, if used select a medium aniline point lubricant (between 80°C and 100°C)
Filtration :	40µ
Temperature :	-18°C to +65°C
Orifice :	4.8 mm
Flow at 6 bar (ΔP=1 bar) :	450 NI/ min (Cv 0.45)
Coil :	Class F wires - 100% ED
Voltage range :	-30% to +10% of nominal voltage
Protection :	IP65
Power :	8.5 to 11.3 W
Response times :	24V= / 8.5 W Energize : 15 ms De-energize: 5 ms

Options : • Protection varistor on the female connector.

DIMENSIONS

Dimensions shown are metric (mm)



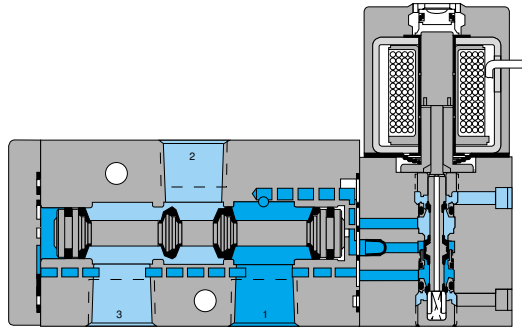


Solutions for the transport industry
Electrically operated valve

Function	Port size	Flow (Max)	Individual mounting
3 / 2 NC	G 1 / 8" - G 1 / 4"	1500 NI/ min	Inline

OPERATIONAL BENEFITS

1. High reliability.
2. Heavy duty design.
3. High shifting forces.
4. Long life.
5. Wide voltage variations.
6. Wide temperature range.
7. Washdown.
8. Immune to contamination.
9. Immune to vibrations.
10. Immune to corrosion.
11. High flow in compact design.



HOW TO ORDER

Port size	Pilot air	3 / 2 Single operator	3 / 2 Double operator
G 1 / 8"	Internal	52A-11-C0A-DM-D- XXX-XXX E848	52A-21-C0A-DM-D- XXX-XXX E848
G 1 / 4"	Internal	52A-11-D0A-DM-D- XXX-XXX E848	52A-21-D0A-DM-D- XXX-XXX E848

SO LEN O ID O PERATOR >

DM-D- **XXX-XXX**

XX Voltage	X Wire length	X Manual operator	XX Electrical connection
DA 24V=/ 5.4W	A 45 cm	1 Non-locking	JM Rectangular connector Male only
DL 64V=/ 6W	J Connector		JB Rectangular connector
DT 75V=/ 5.6W			JD Rectangular connector with light
DR 90V=/ 6.6W			BA Flying leads
DS 100V=/ 7.3W			
DK 110V=/ 4.7W			

OPTIONS

Special electrical connections on request, consult factory.

MAC

Series 52

100%
OF
PRODUCTION
TESTED
100%

WARRANTY
18
MONTHS

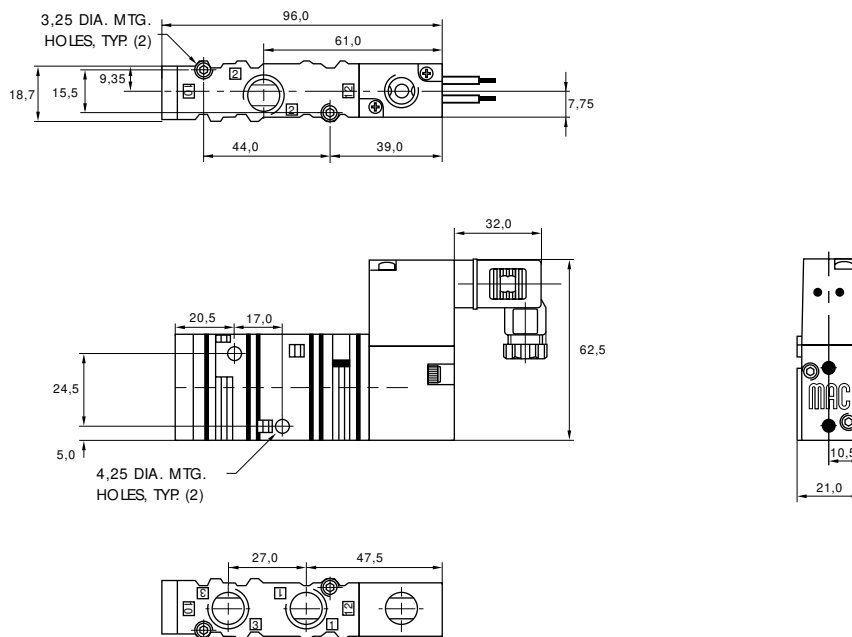
TECHNICAL DATA

Fluid :	Compressed air, vacuum, inert gases
Pressure range :	1.4 to 10 bar
Lubrication :	Not required, if used select a medium aniline point lubricant (between 80°C and 100°C)
Filtration :	40µ
Temperature :	-18°C to +65°C
Orifice :	7.3 mm
Flow at 6 bar (ΔP=1 bar) :	1500 NI/ min (Cv 1.5)
Coil :	Class F wires - 100% ED
Voltage range :	-30% to +10% of nominal voltage
Protection :	IP65
Power :	5.4 to 7.3 W
Response times :	24V= / 5.4 W Energize : 7.3 ms De-energize: 5.3 ms

Options : • Protection varistor on the female connector.

DIMENSIONS

Dimensions shown are metric (mm)



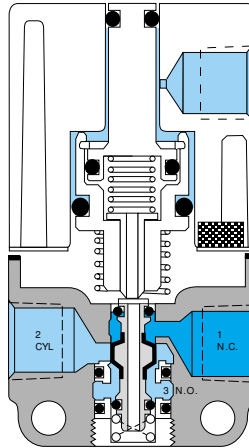


Solutions for the transport industry
Remote air valve

Function	Port size	Flow (Max)	Individual mounting
3 / 2 NO-NC	G 1 / 8" - G 1 / 4"	180 NI/ min	Inline

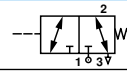
OPERATIONAL BENEFITS

1. High reliability.
2. Heavy duty design.
3. High shifting forces.
4. Long life.
5. Wide temperature range.
6. Washdown.
7. Immune to contamination.
8. Immune to vibrations.
9. Immune to corrosion.
10. Compact design.



HOW TO ORDER

Port size	Valve type
G 1 / 8"	1116A-114 E852
G 1 / 4"	1117A-114 E852



Air pilot port: G 1 / 8"

MAC

Series 1100

100%
OF
PRODUCTION
TESTED
100%

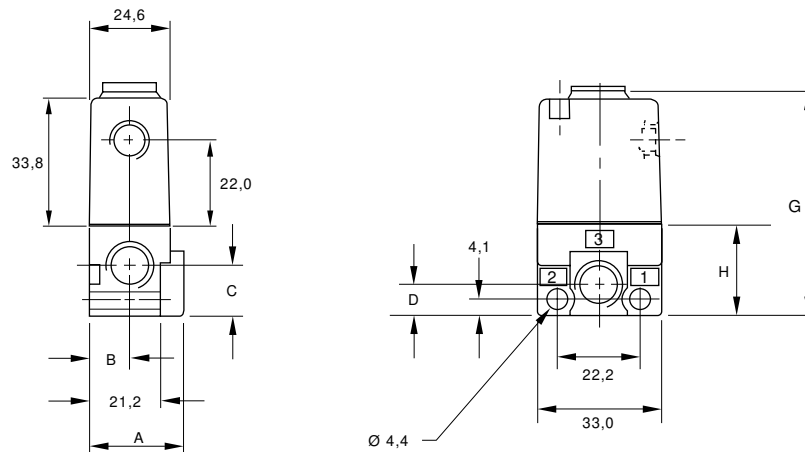
WARRANTY
18
MONTHS

TECHNICAL DATA

Fluid :	Compressed air, vacuum, inert gases
Pressure range :	Vacuum to 10 bar
Air signal pressure :	≥1.4 bar
Lubrication :	Not required, if used select a medium aniline point lubricant (between 80°C and 100°C)
Filtration :	40µ
Temperature :	-18°C to +65°C
Orifice :	2 mm
Flow at 6 bar (ΔP=1 bar) :	180 NI/ min (Cv 0.18)

DIMENSIONS

Dimensions shown are metric (mm)



Port size	A	B	C	D	G	H
G 1 / 8 "	28.4	12.7	14.0	8.0	60.1	23.2
G 1 / 4 "	29.8	13.3	12.7	9.9	60.9	24.1

Consult "Precautions" before use, installation or service of MAC Valves (see our general catalogue).

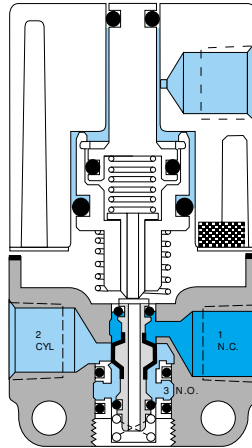


Solutions for the transport industry
Remote air valve

Function	Port size	Flow (Max)	Manifold mounting
3 / 2 NO-NC	G 1 / 8"	140 NI/ min	Sub-base

OPERATIONAL BENEFITS

1. High reliability.
2. Heavy duty design.
3. High shifting forces.
4. Long life.
5. Wide temperature range.
6. Washdown.
7. Immune to contamination.
8. Immune to vibrations.
9. Immune to corrosion.
10. Compact design.



HOW TO ORDER

Port size	Valve type
Valve less base	 1130A-114 E853
Sub-base G 1 / 8"	1136A-114 E853

Air pilot port: G 1 / 8"
End plate kit (G 1 / 4" ports): A2-5004-01P

MAC

Series 1100

100%
OF
PRODUCTION
TESTED
100%

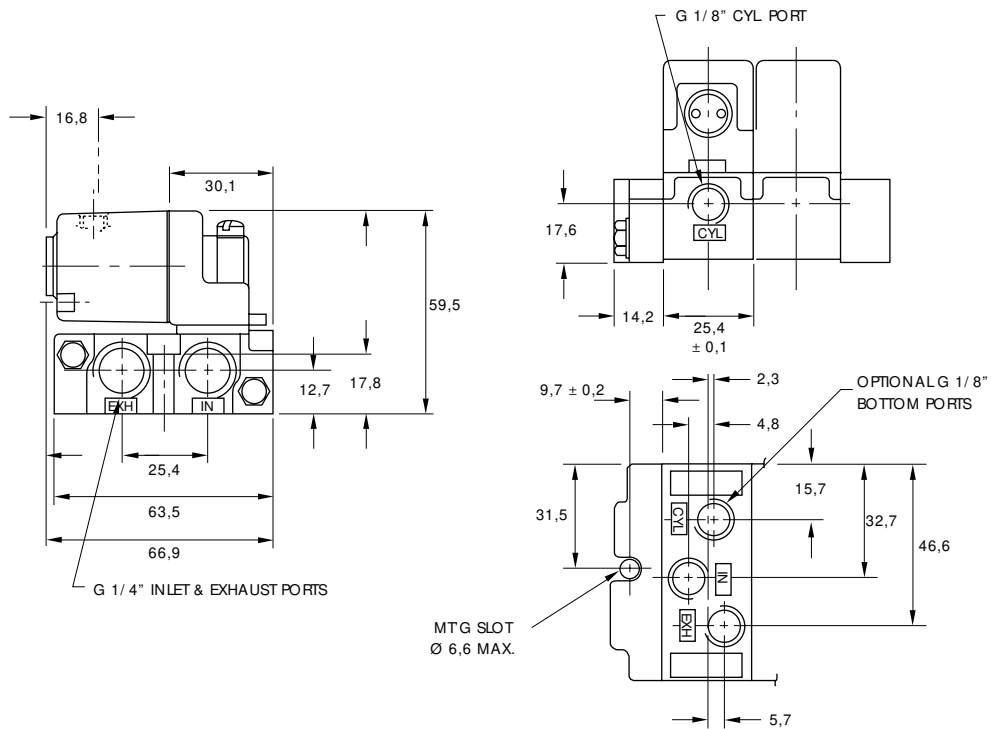
WARRANTY
18
MONTHS

TECHNICAL DATA

Fluid :	Compressed air, vacuum, inert gases
Pressure range :	Vacuum to 10 bar
Air signal pressure :	≥1.4 bar
Lubrication :	Not required, if used select a medium aniline point lubricant (between 80°C and 100°C)
Filtration :	40μ
Temperature :	-18°C to +65°C
Orifice :	2 mm
Flow at 6 bar (ΔP=1 bar) :	140 NI/ min (Cv 0.14)

DIMENSIONS

Dimensions shown are metric (mm)





Solutions for the transport industry
Mechanically operated valve

Function	Port size	Flow (Max)	Individual mounting
3 / 2 NO-NC	G 1 / 8" - G 1 / 4"	180 NI/ min	Inline

OPERATIONAL BENEFITS

1. High reliability.
2. Heavy duty design.
3. High shifting forces.
4. Long life.
5. Wide temperature range.
6. Washdown.
7. Immune to contamination.
8. Immune to vibrations.
9. Plated screws.
10. Immune to corrosion.
11. Cam roller parallel to ports 1 & 2



HOW TO ORDER

Port size	Valve type
G 1 / 8"	1116A-011 E854
G 1 / 4"	1117A-011 E854

OPTIONS

Other manual regulators on request, consult factory.



100%
OF
PRODUCTION
TESTED
100%

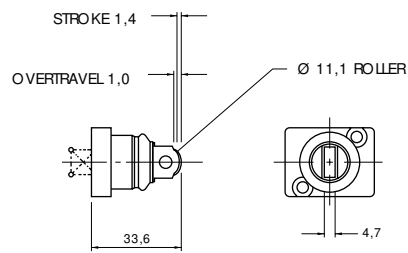
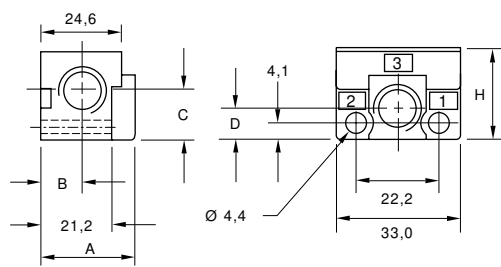
WARRANTY
18
MONTHS

TECHNICAL DATA

Fluid :	Compressed air, vacuum, inert gases
Pressure range :	Vacuum to 10 bar
Air signal pressure :	≥1.4 bar
Lubrication :	Not required, if used select a medium aniline point lubricant (between 80°C and 100°C)
Filtration :	40µ
Temperature :	-18°C to +65°C
Orifice :	2 mm
Flow at 6 bar (ΔP=1 bar) :	180 NI/ min (Cv 0.18)

DIMENSIONS

Dimensions shown are metric (mm)



011/012

PORT SIZE	A	B	C	D	H
G 1 / 8" NPTF	28.4	12.7	14.0	8.0	23.2
G 1 / 4" NPTF	29.8	13.3	12.7	9.9	24.1

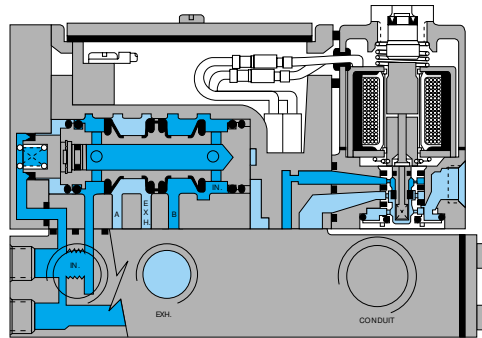


Solutions for the transport industry
Electrically operated valve

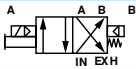
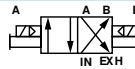
Function	Port size	Flow (Max)	Individual mounting
4 / 2	G 1 / 4" - G 3 / 8"	1600 NI/ min	Sub-base

OPERATIONAL BENEFITS

1. High reliability.
2. Heavy duty design.
3. High shifting forces.
4. Long life.
5. Wide voltage variations.
6. Wide temperature range.
7. Washdown.
8. Immune to contamination.
9. Immune to vibrations.
10. Immune to corrosion.
11. Compact design.



HOW TO ORDER

Port size	Pilot air	4 / 2 Single operator	4 / 2 Double operator
			
Valve less base		6212C-000-PM- XXYZZ E855	6222C-000-PM- XXYZZ E855
Sub-base G 1 / 4"	Internal	6212C-171-PM- XXYZZ E855	6222C-171-PM- XXYZZ E855
Sub-base G 3 / 8"	Internal	6212C-271-PM- XXYZZ E855	6222C-271-PM- XXYZZ E855

SO IEN O I D O PERATOR >

XX Y ZZ

XX	Voltage	Y	Manual operator	ZZ	Electrical connection
61	24V=/ 8.5W	1	Non-locking recessed	BA	Flying leads
67	64V=/ 7.5W	4	Locking extended	JA	Square connector
75	90V=/ 8.8W			JB	Rectangular connector
76	100V=/ 6.9W			JC	Square connector with light
96	75V=/ 6.1W			JD	Rectangular connector with light
				JJ	Square connector Male only
				JM	Rectangular connector Male only

OPTIONS

Special electrical connections on request, consult factory.

MAC

Series 6200

100%
OF
PRODUCTION
TESTED
100%

WARRANTY
18
MONTHS

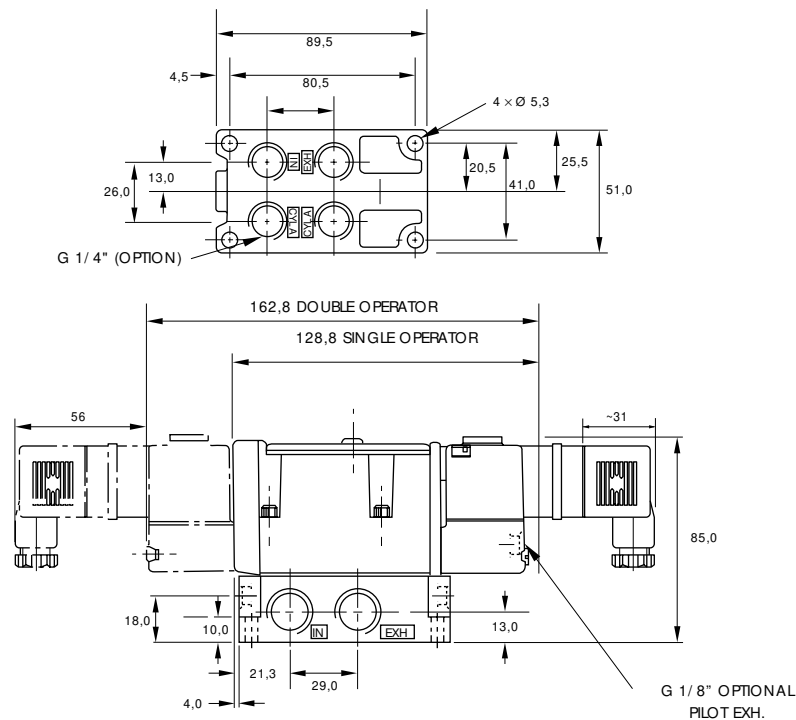
TECHNICAL DATA

Fluid :	Compressed air, vacuum, inert gases	
Pressure range :	Single operator and 3 positions: 1.8 to 10 bar	Double operator: 0.7 to 10 bar
Lubrication :	Not required, if used select a medium aniline point lubricant (between 80°C and 100°C)	
Filtration :	40µ	
Temperature :	-18°C to +65°C	
Orifice :	7 mm	
Flow at 6 bar (ΔP=1 bar) :	1600 NI/ min (Cv 1.6)	
Coil :	Class F wires - 100% ED	
Voltage range :	-30% to +10% of nominal voltage	
Protection :	IP65	
Power :	6.1 to 8.8 W	
Response times :	24V= / 5.4 W	Energize : 10 ms De-energize: 11 ms

Options : • Protection varistor on the female connector.

DIMENSIONS

Dimensions shown are metric (mm)



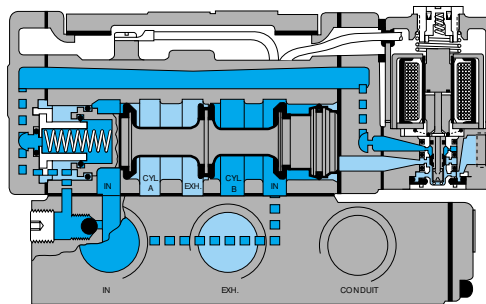


Solutions for the transport industry
Electrically operated valve

Function	Port size	Flow (Max)	Individual mounting
4 / 2	G 3 / 8" - G 1 / 2" - G 3 / 4"	5100 NI/ min	Sub-base

OPERATIONAL BENEFITS

1. High reliability.
2. Heavy duty design.
3. High shifting forces.
4. Long life.
5. Wide voltage variations.
6. Wide temperature range.
7. Washdown.
8. Immune to contamination.
9. Immune to vibrations.
10. Immune to corrosion.
11. Compact design.



HOW TO ORDER

Port size	Pilot air	4 / 2	
		Single operator	Double operator
Valve less base		6512B-000-PM- XXYZZ E859	6522B-000-PM- XXYZZ E859
Sub-base G 3 / 8"	Internal	6512B-171-PM- XXYZZ E859	6522B-171-PM- XXYZZ E859
Sub-base G 1 / 2"	Internal	6512B-271-PM- XXYZZ E859	6522B-271-PM- XXYZZ E859
Sub-base G 3 / 4"	Internal	6512B-371-PM- XXYZZ E859	6522B-371-PM- XXYZZ E859

SO IEN O ID O PERATOR >

XX Y ZZ

XX Voltage	Y Manual operator	ZZ Electrical connection
61 24V=/ 8.5W	1 Non-locking recessed	BA Flying leads
67 64V=/ 7.5W	4 Locking extended	JA Square connector
75 90V=/ 8.8W		JB Rectangular connector
76 100V=/ 6.9W		JC Square connector with light
96 75V=/ 6.1W		JD Rectangular connector with light
		JJ Square connector Male only
		JM Rectangular connector Male only

OPTIONS

Special electrical connections on request, consult factory.

MAC

Series 6500

100%
OF
PRODUCTION
TESTED
100%

WARRANTY
18
MONTHS

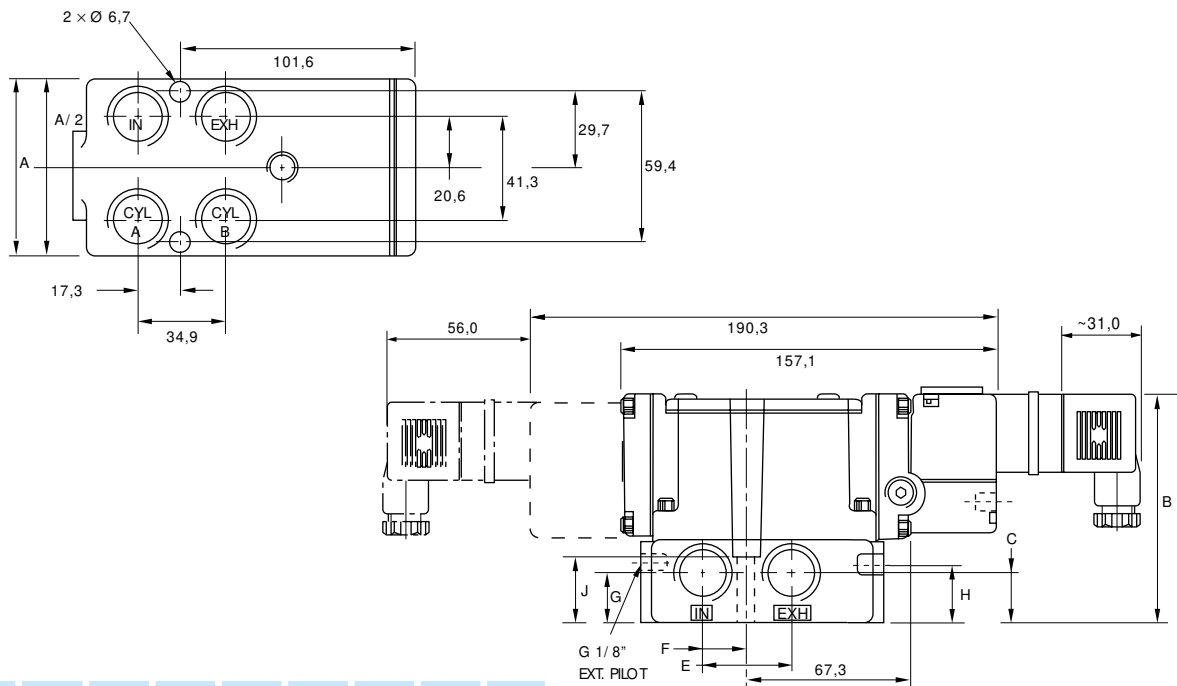
TECHNICAL DATA

Fluid :	Compressed air, vacuum, inert gases	
Pressure range :	Single operator and 3 positions: 1.8 to 10 bar	Double operator: 0.7 to 10 bar
Lubrication :	Not required, if used select a medium aniline point lubricant (between 80°C and 100°C)	
Filtration :	40µ	
Temperature :	-18°C to +65°C	
Orifice :	19 mm	
Flow at 6 bar (ΔP=1 bar) :	5100 NI/ min (Cv 5.1)	
Coil :	Class F wires - 100% ED	
Voltage range :	-30% to +10% of nominal voltage	
Protection :	IP65	
Power :	6.1 to 8.8 W	
Response times :	24V= / 5.4 W	Energize : 12 ms De-energize: 12 ms

Options : • Protection varistor on the female connector.

DIMENSIONS

Dimensions shown are metric (mm)



Port size	A	B	C	E	F	G	H	J
G 3/8" - G 1/2"	69.6	97.4	18.3	36.0	17.9	19.0	23.6	25.4
G 3/4"	94.5	109.3	17.3	40.1	19.2	20.8	35.9	36.6

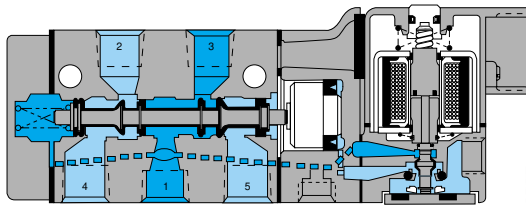


Solutions for the transport industry
Electrically operated valve

Function	Port size	Flow (Max)	Individual mounting
5 / 2	G 1 / 4 "	1400 NI/ min	Inline

OPERATIONAL BENEFITS

1. High reliability.
2. Heavy duty design.
3. High shifting forces.
4. Long life.
5. Wide voltage variations.
6. Wide temperature range.
7. Washdown.
8. Immune to contamination.
9. Immune to vibrations.
10. Immune to corrosion.
11. Compact design.



HOW TO ORDER

Port size	Pilot air	5 / 2 Single operator	5 / 2 Double operator
G 1 / 4 "	Internal	 811C-PM- XX YZZ -155 E851	 821C-PM- XX YZZ -155 E851

SO LENO ID O PERATOR R >

XX Y ZZ

XX	Voltage	Y	Manual operator	ZZ	Electrical connection
61	24V=/ 8.5W	1	Non-locking recessed	BA	Flying leads
67	64V=/ 7.5W	4	Locking extended	JA	Square connector
75	90V=/ 8.8W			JB	Rectangular connector
76	100V=/ 6.9W			JC	Square connector with light
96	75V=/ 6.1W			JD	Rectangular connector with light
				JJ	Square connector Male only
				JM	Rectangular connector Male only

OPTIONS

Special electrical connections on request, consult factory.

TECHNICAL DATA

Fluid :	Compressed air, vacuum, inert gases	
Pressure range :	Single operator: 1.4 to 10 bar	Double operator: 0.7 to 10 bar
Lubrication :	Not required, if used select a medium aniline point lubricant (between 80°C and 100°C)	
Filtration :	40µ	
Temperature :	-18°C to +65°C	
Orifice :	7 mm	
Flow at 6 bar (ΔP=1 bar) :	1400 NI/ min (Cv 1.4)	
Coil :	Class F wires - 100% ED	
Voltage range :	-30% to +10% of nominal voltage	
Protection :	IP65	
Power :	6.1 to 8.8 W	
Response times :	24V= / 8.5 W	Energize : 8 ms De-energize: 10 ms

- Options :
- Protection varistor on the female connector
 - NAMUR interface

DIMENSIONS

Dimensions shown are metric (mm)

